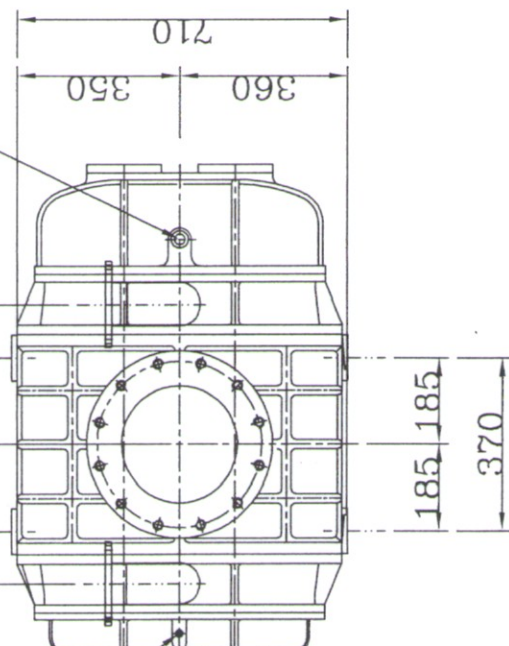
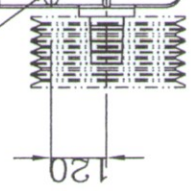


OIL SERVICE



OIL SERVICE



2-KS10K-80A,FF

ARC SILENCER

TAPER 1/10
ON DIAMETER

Ø74

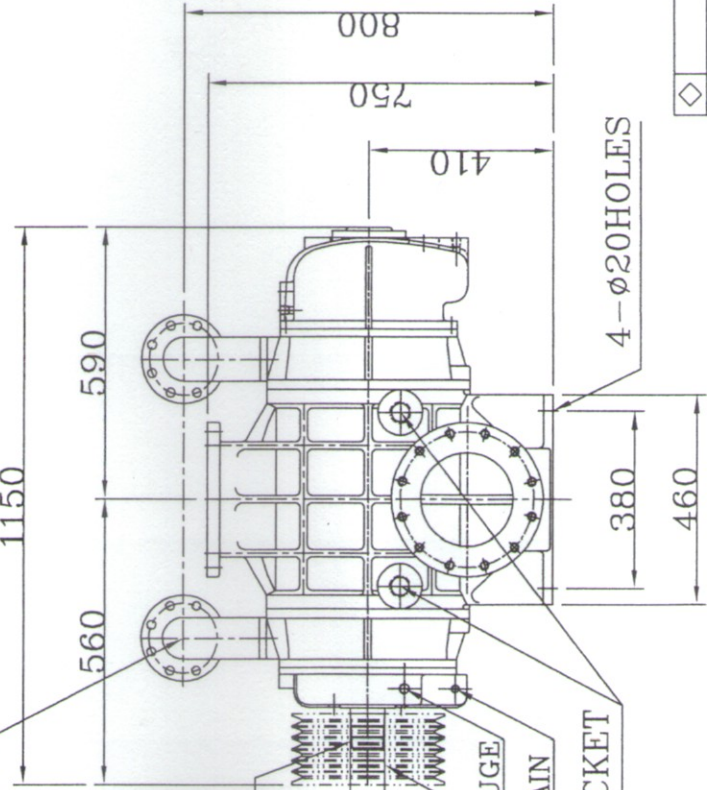
PULLEY-5V5

OIL GAUGE

OIL DRAIN

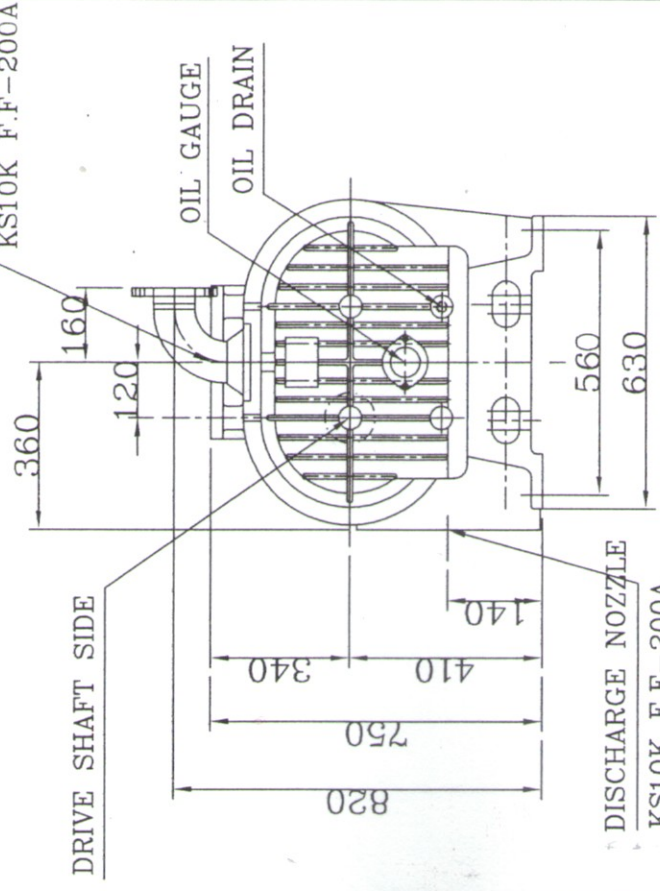
ARC SILENCER SOCKET

4-PT 1-1/2 TAP



NOTE.

ITEM No. :



NO	PARTS NAME	Q'TY	MATERIAL	NOTE
HANIL MACHINERY CO.				

TYPE DWG	DWN S.J.S	CKD	SYM	3RD ANGLE PROJECTION	SCALE / CODE	TITLE	OUT-LINE FOR
						ROTARY BLOWER DWG	
						MODEL	HBFV(HMC)2002
						DWG.NO	HM07-B570-004

REV	DATE	DESCRIPTION	DWN	CHKD	APPD	DATE
◇						
◇						
◇						